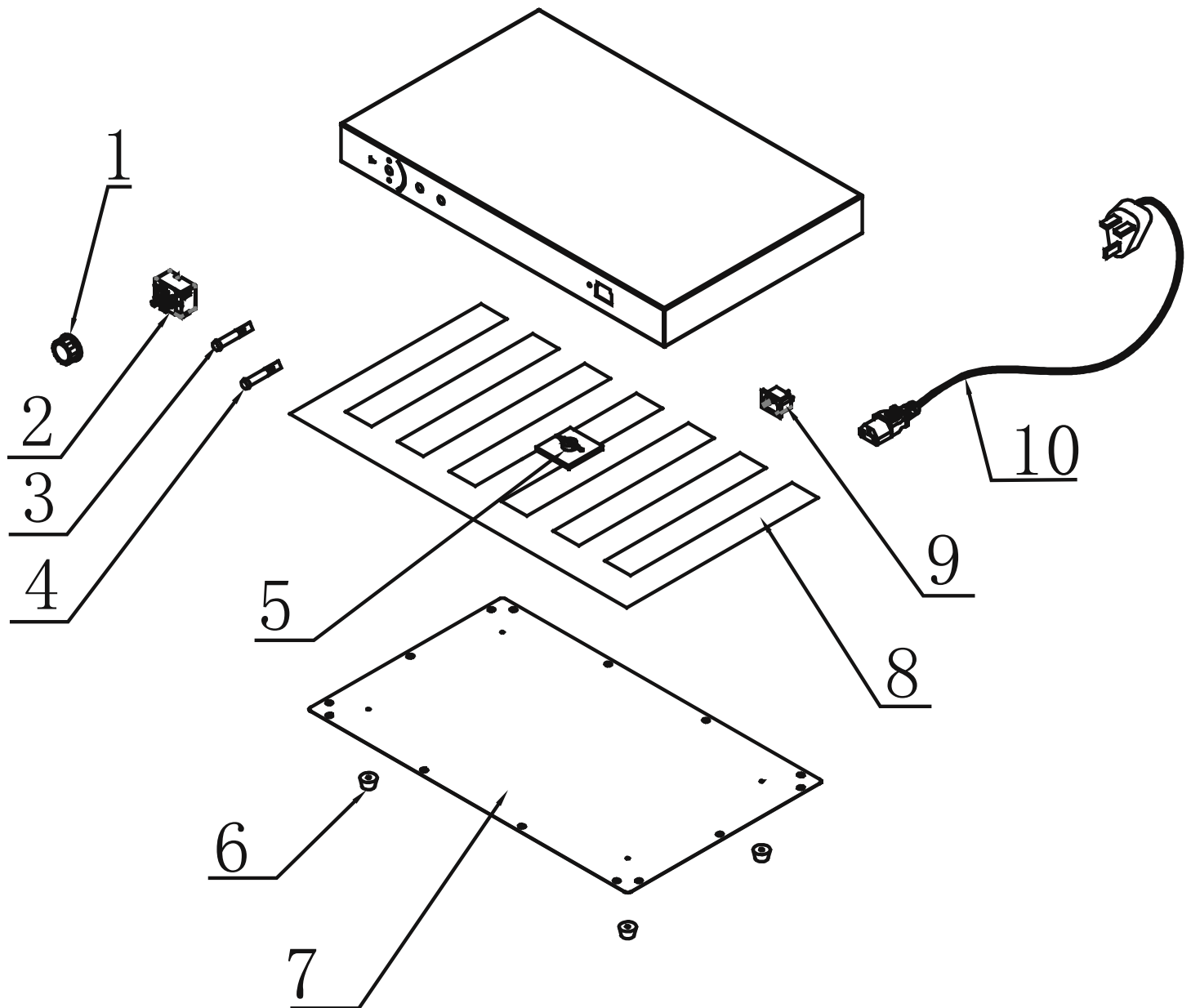


# Parts Breakdown

Model FW-CN-0450 20180



# Parts Breakdown

---

## Model FW-CN-0450 20180

Item No.	Description	Position	Item No.	Description	Position	Item No.	Description	Position
69298	Dial for 20180	1	69302	Thermal Cut Out for 20180	5	69306	Socket for 20180	9
69299	Thermostat for 20180	2	69303	Feet for 20180	6	69307	Plug and Lead for 20180	10
69300	Indicator Light (Green) for 20180	3	69304	Base for 20180	7			
69301	Indicator Light (Red) for 20180	4	69305	Element for 20180	8			